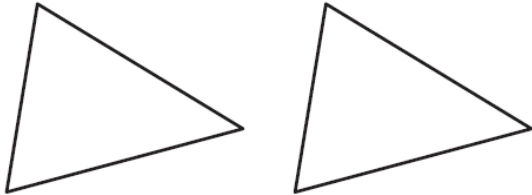


Name _____

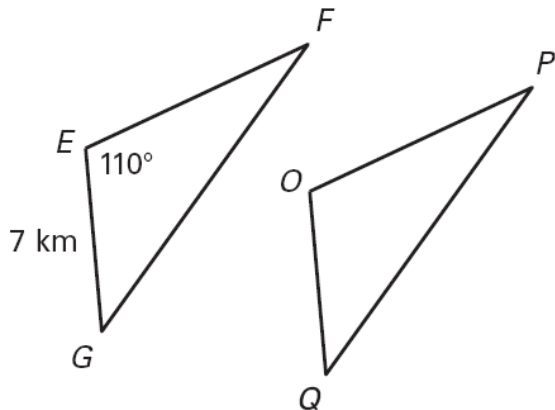
Date _____

Assignment 28 LESSON 4.2

1. Copy the congruent triangles shown at the right. Then label the vertices of your triangles so that $\triangle CPN \cong \triangle BIY$. Identify all pairs of congruent corresponding angles and corresponding sides.

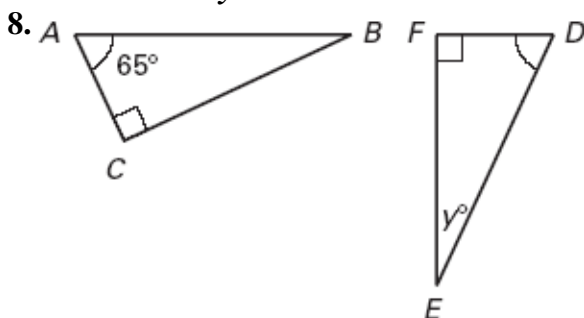


In the diagram, $\triangle EFG \cong \triangle OPQ$. Complete the statement.

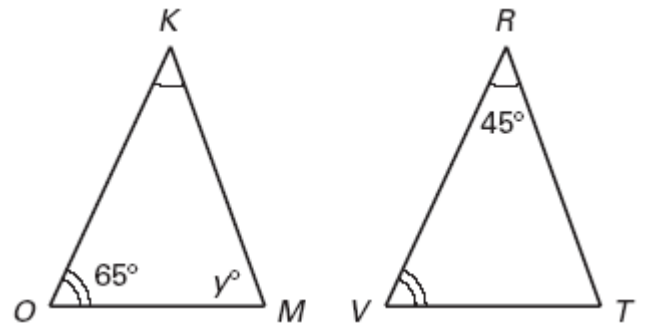


2. $\overline{EF} \cong \underline{\hspace{1cm}}?$
3. $\angle P \cong \underline{\hspace{1cm}}?$
4. $\angle G \cong \underline{\hspace{1cm}}?$
5. $m\angle O = \underline{\hspace{1cm}}?$
6. $\overline{OO} = \underline{\hspace{1cm}}?$
7. $\triangle GFE \cong \underline{\hspace{1cm}}?$

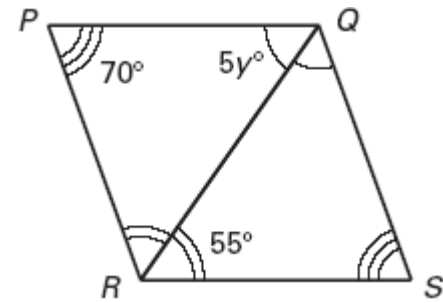
Find the value of y .



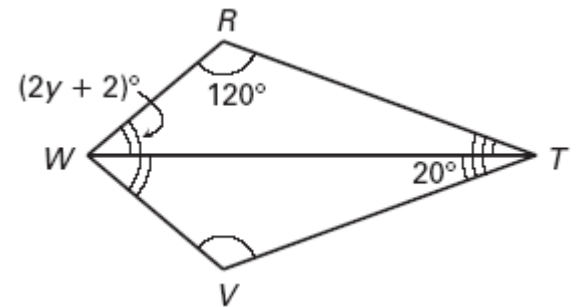
9.



10.



11.



12. Graph the triangle with vertices $D(2, 0)$, $E(2, 4)$, and $F(6, 2)$. Then graph a triangle congruent to $\triangle DEF$

