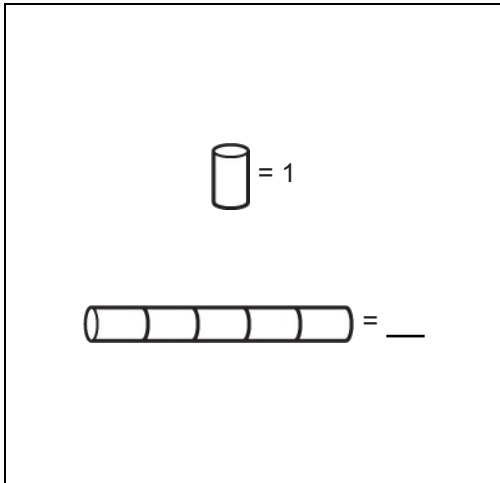


# Math Geometry Measurement and Algebra 5\_4

Student Name: \_\_\_\_\_

Date: \_\_\_\_\_

1.



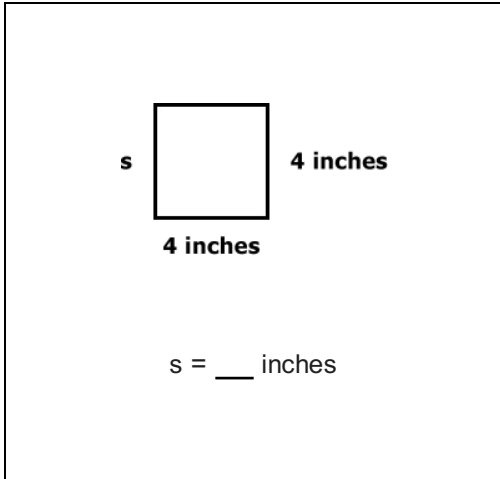
- A. 3
- B. 5
- C. 4

2.

One cake pan holds 9 oz. of batter  
2 cake pans hold \_\_\_ oz. of batter.

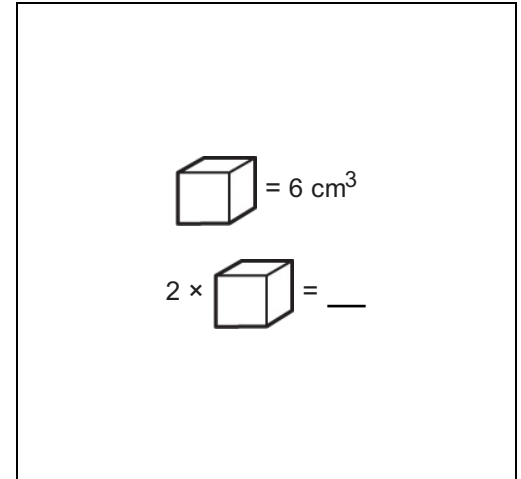
- A. 24
- B. 9
- C. 18

3.



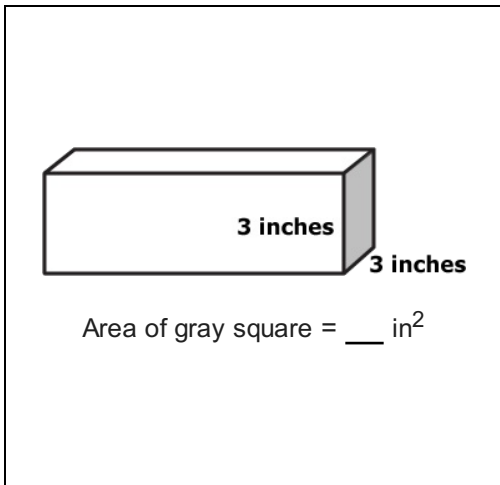
- A. 4
- B. 8
- C. 3

4.



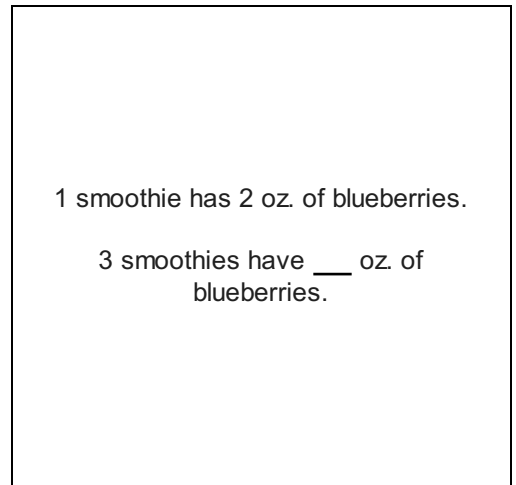
- A. 4 cm<sup>3</sup>
- B. 12 cm<sup>3</sup>
- C. 8 cm<sup>3</sup>

5.



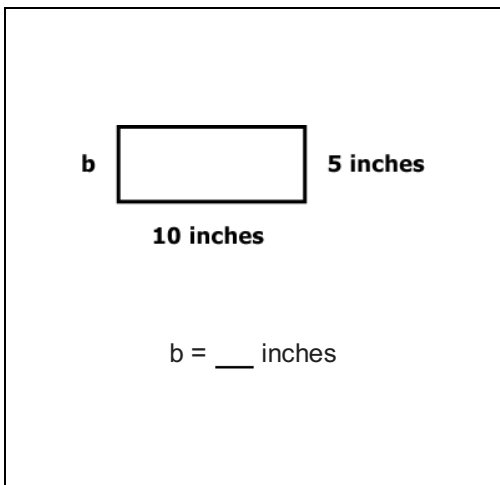
- A. 6
- B. 9
- C. 3

6.



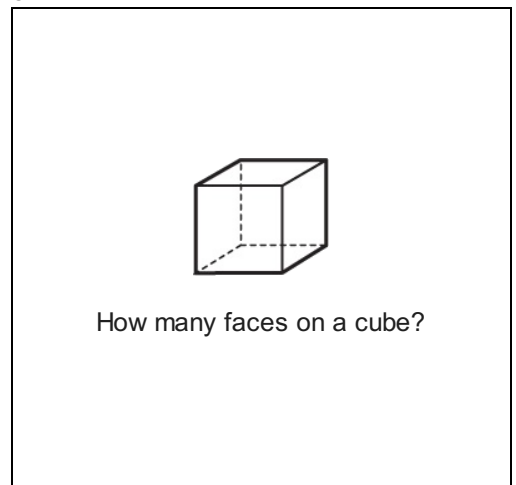
- A. 4
- B. 6
- C. 8

7.



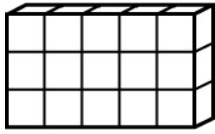
- A. 6
- B. 10
- C. 5

8.



- A. 6
- B. 4
- C. 2

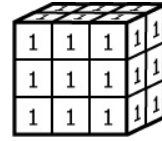
9.



How many cubes?

- A. 10
- B. 24
- C. 15

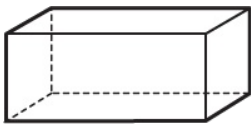
10.



Volume = \_\_\_ units<sup>3</sup>

- A. 18
- B. 8
- C. 16

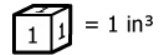
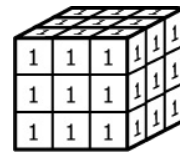
11.



This prism has 2 bases and \_\_\_ faces.

- A. 5
- B. 3
- C. 4

12.



The big cube is  $3 \times 3 \times 3$  small cubes.

Volume = \_\_\_

- A.  $3 \text{ in}^3$
- B.  $9 \text{ in}^3$
- C.  $27 \text{ in}^3$

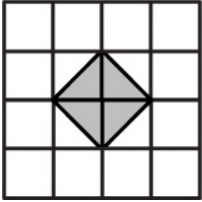
13.

A box holds 10 cubes of  $2 \text{ in.}^3$ .  
How big is the box?

- A.  $10" \times 2" \times 1"$
- B.  $3" \times 2" \times 8"$
- C.  $8" \times 4" \times 3"$

14.

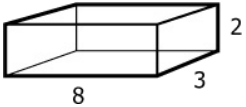
$\square = 1 \text{ unit}^2$



gray area =  $\_\_ \text{ units}^2$

- A. 4
- B. 2
- C. 6

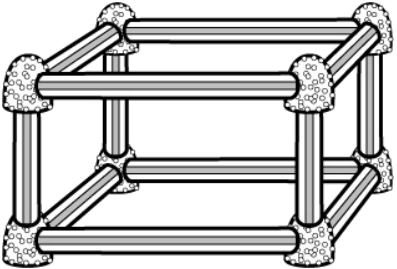
15.



Volume =  $\_\_$

- A.  $8 \times 3 \times 2$
- B.  $2 \times 3 + 2 \times 8$
- C.  $8 + 3 + 2$

16.



This is made of straws and gumdrops.  
How many straws are there?

- A. 16
- B. 8
- C. 12