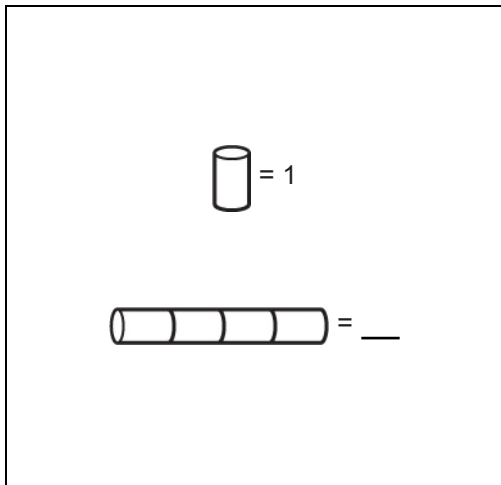


Math Geometry Measurement and Algebra 5_7

Student Name: _____

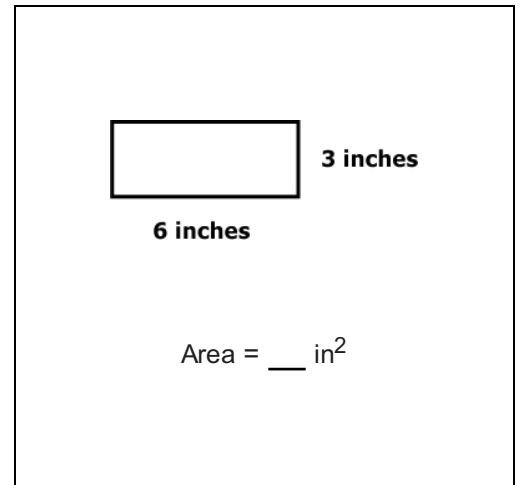
Date: _____

1.



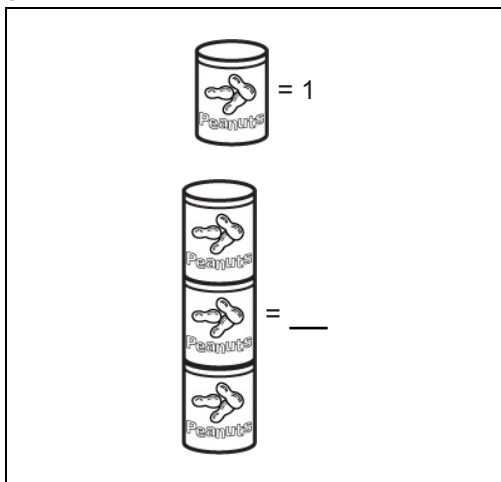
- A. 4
- B. 5
- C. 6

2.



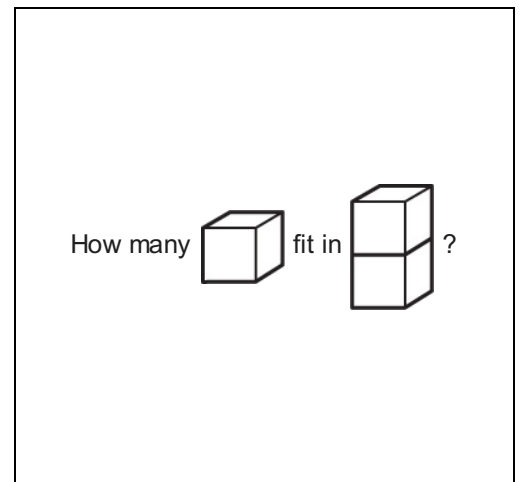
- A. 18
- B. 12
- C. 20

3.



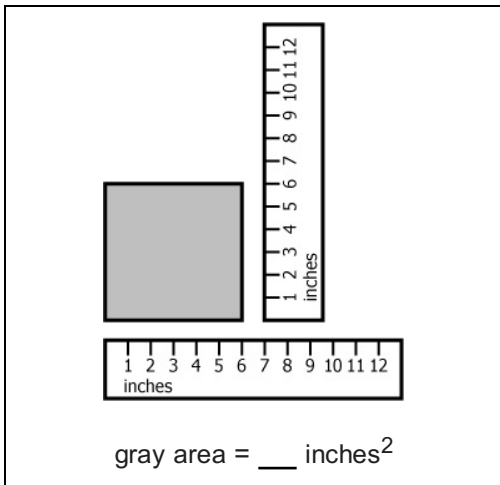
- A. 3
- B. 4
- C. 5

4.



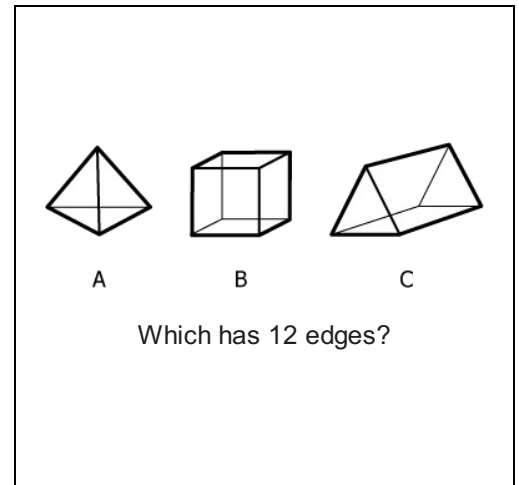
- A. 0
- B. 2
- C. 1

5.



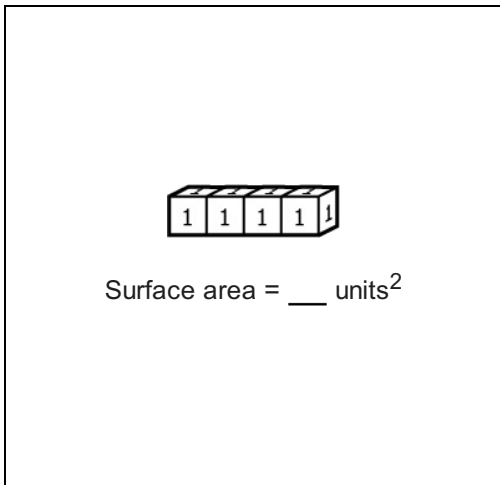
- A. 36
- B. 12
- C. 18

6.



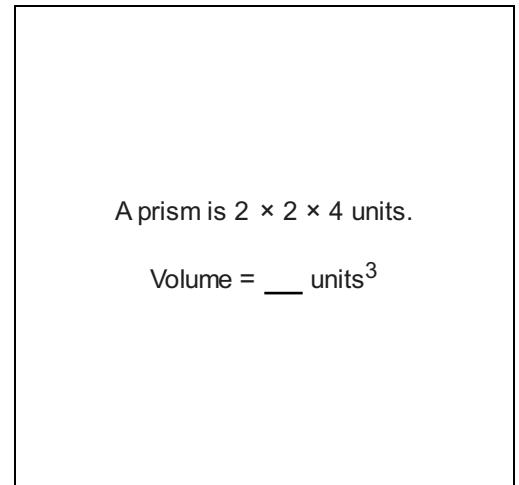
- A. A
- B. B
- C. C

7.



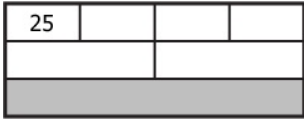
- A. 20
- B. 18
- C. 24

8.



- A. 8
- B. 42
- C. 16

9.

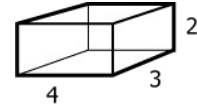


The gray part =

- A. 200
- B. 50
- C. 100

10.

Volume = L × W × H



Volume = ___

- A. $2 \times 3 + 2 \times 4$
- B. $4 \times 3 \times 2$
- C. $4 + 3 + 2$

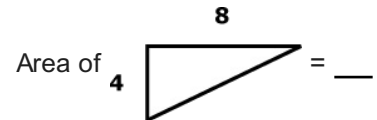
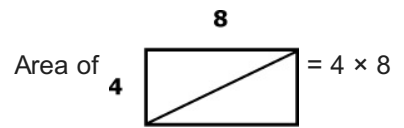
11.



Milk is measured in ___.

- A. volume
- B. distance
- C. polygons

12.



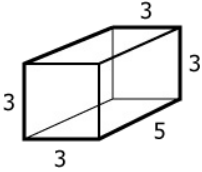
- A. $\frac{1}{2}(4 \times 8)$
- B. $\frac{4}{2} \times (8 + 2)$
- C. $\frac{1}{2}(4 + 8)$

13.

Which tells how much sand a bag can hold?

- A. volume
- B. height
- C. area

14.



A 3D rectangular prism is shown with three dimensions labeled: the front-left vertical edge is 3, the top-back horizontal edge is 3, and the bottom-right receding edge is 5.

Volume = ___

- A. $3 + 3 \times 5$
- B. $3 \times 3 + 5$
- C. $3 \times 3 \times 5$

15.

Which shows how much dirt a bucket can hold?

- A. height
- B. area
- C. volume

16.

Which unit is best for the volume of a bag?

- A. inches³
- B. miles³
- C. kilometers³