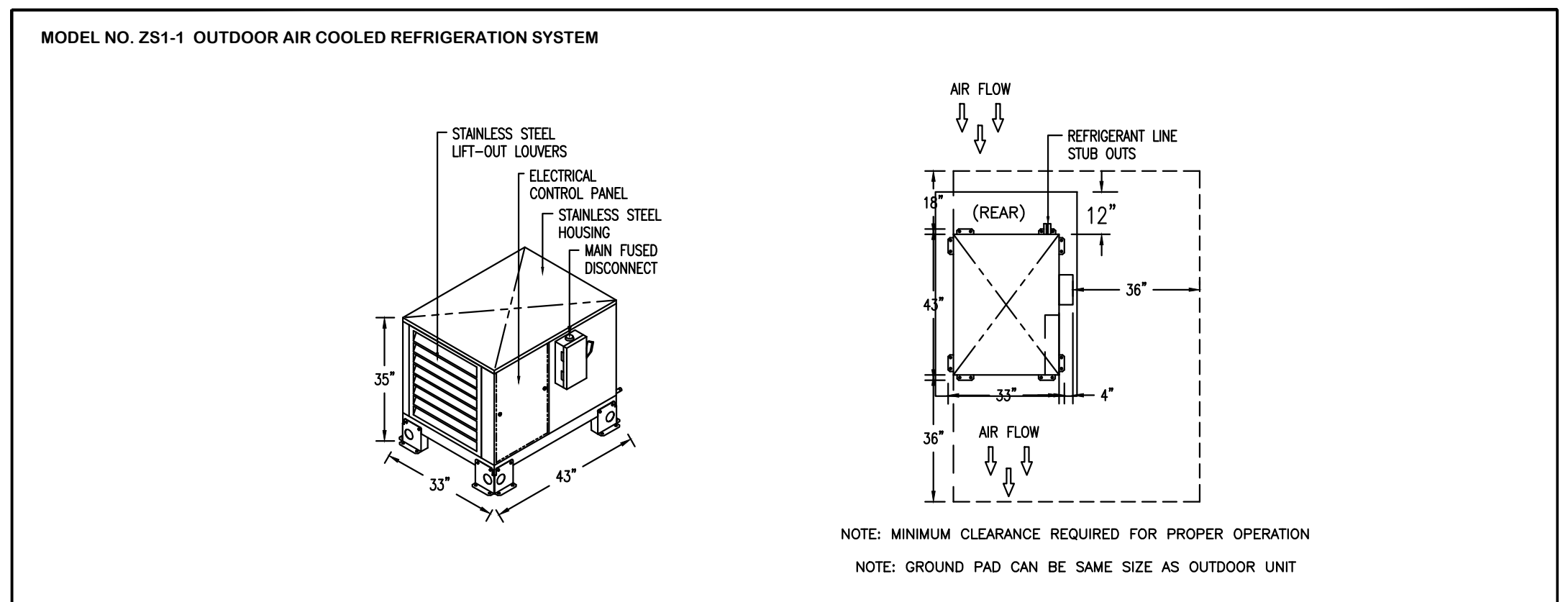




NOTE: WESLACO I.S.D. IS TO PROVIDE AND INSTALL ALL REQUIRED ELECTRICAL CIRCUITING TO THE LOCATION OF THE NEW WALK-IN ASSEMBLY AND WITHIN A MAXIMUM OF 6 FEET FROM THE TERMINATION POINTS AND/OR FINAL CONNECTIONS ON THE EQUIPMENT. THE DRY WELL REQUIRED FOR CONDENSATE DRAINAGE IS TO BE PROVIDED AND INSTALLED BY THE WESLACO I.S.D. ALL FINAL PLUMBING AND ELECTRICAL CONNECTIONS TO THE EQUIPMENT ARE TO BE PROVIDED BY A LICENSED ELECTRICIAN AND PLUMBER AS CONTRACTED BY THE KITCHEN EQUIPMENT CONTRACTOR (K.E.C.).



NOTE: MINIMUM CLEARANCE REQUIRED FOR PROPER OPERATION
NOTE: GROUND PAD CAN BE SAME SIZE AS OUTDOOR UNIT

WEIGHTS		No.	Description	Unit
RACK WEIGHT:		345	LBS.	
EVAPORATOR WEIGHT:		62	LBS.	
TOTAL EQUIPMENT WEIGHT:		407	LBS.	

ENGINEERING SUMMARY		POWER SUPPLY: 208-230/60/3	MAX FUSE SIZE: 30 AMPS					
		CONNECTED LOAD: 18.9 AMPS	MINIMUM CIRCUIT AMPACITY: 23.6					
SYSTEM	ITEM #	DESCRIPTION	TEMP	FIXTURES	COMPRESSORS	EVAPORATOR COILS	REFRIGERANT LINE SIZES	ACCESSORIES
A		WALK-IN FREEZER	-10					
B		WALK-IN COOLER	35					

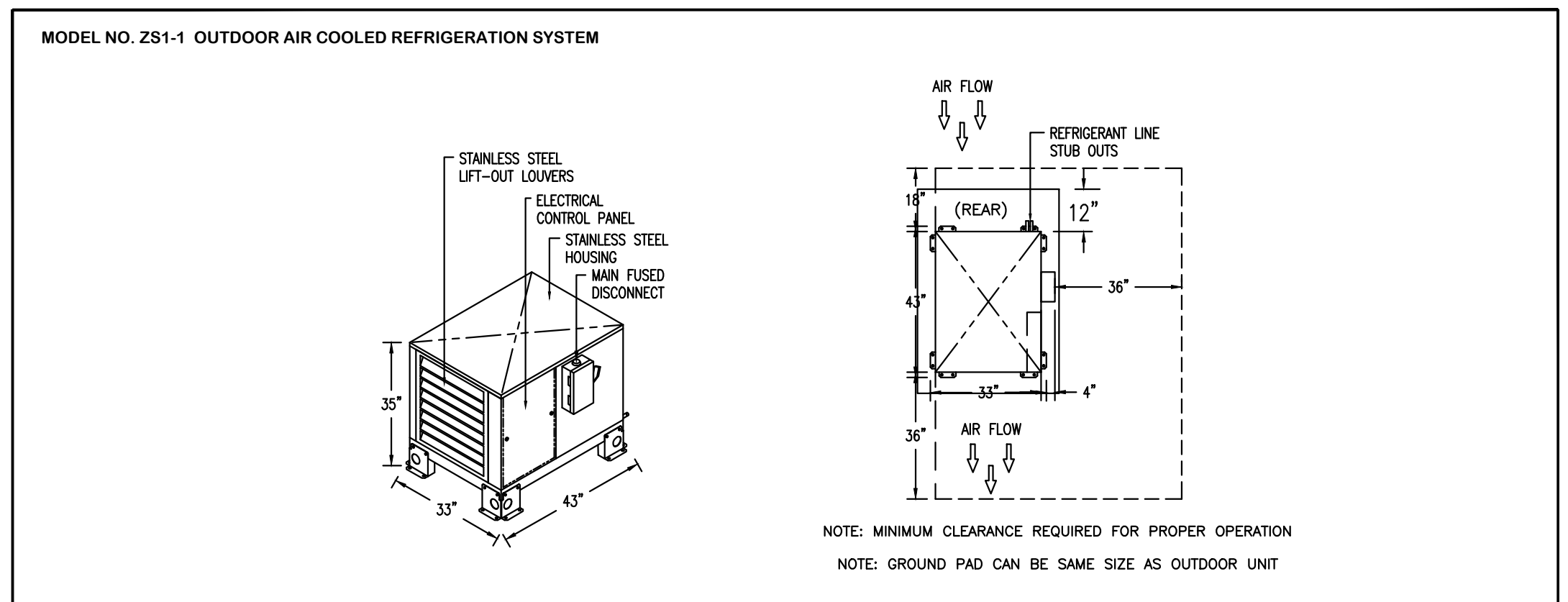


NOTE: IT IS THE INSTALLING CONTRACTOR'S RESPONSIBILITY TO FOLLOW ALL APPLICABLE CODES AND CURRENT REFRIGERATION REGULATIONS AND PRACTICES WHEN DETERMINING LINE SIZES, AND INSTALLING AND STARTING UP SET EQUIPMENT.

COMPRESSOR TYPE
S SEMI-HERMETIC
H HERMETIC
Z SCROLL

DEFROST TYPE
O.C. OFF CYCLE
ELEC. ELECTRIC

EVAPORATOR ACCESSORIES
F FACTORY EQUIPPED
L LOOSE (FIELD INSTALLATION)
D PROVIDED BY OTHERS



NOTE: MINIMUM CLEARANCE REQUIRED FOR PROPER OPERATION
NOTE: GROUND PAD CAN BE SAME SIZE AS OUTDOOR UNIT

WEIGHTS		No.	Description	Unit
RACK WEIGHT:		325	LBS.	
EVAPORATOR WEIGHT:		51	LBS.	
TOTAL EQUIPMENT WEIGHT:		376	LBS.	

ENGINEERING SUMMARY		POWER SUPPLY: 208-230/60/1	MAX FUSE SIZE: 20 AMPS					
		CONNECTED LOAD: 13.2 AMPS	MINIMUM CIRCUIT AMPACITY: 16.5					
SYSTEM	ITEM #	DESCRIPTION	TEMP	FIXTURES	COMPRESSORS	EVAPORATOR COILS	REFRIGERANT LINE SIZES	ACCESSORIES
B		WALK-IN COOLER	35					

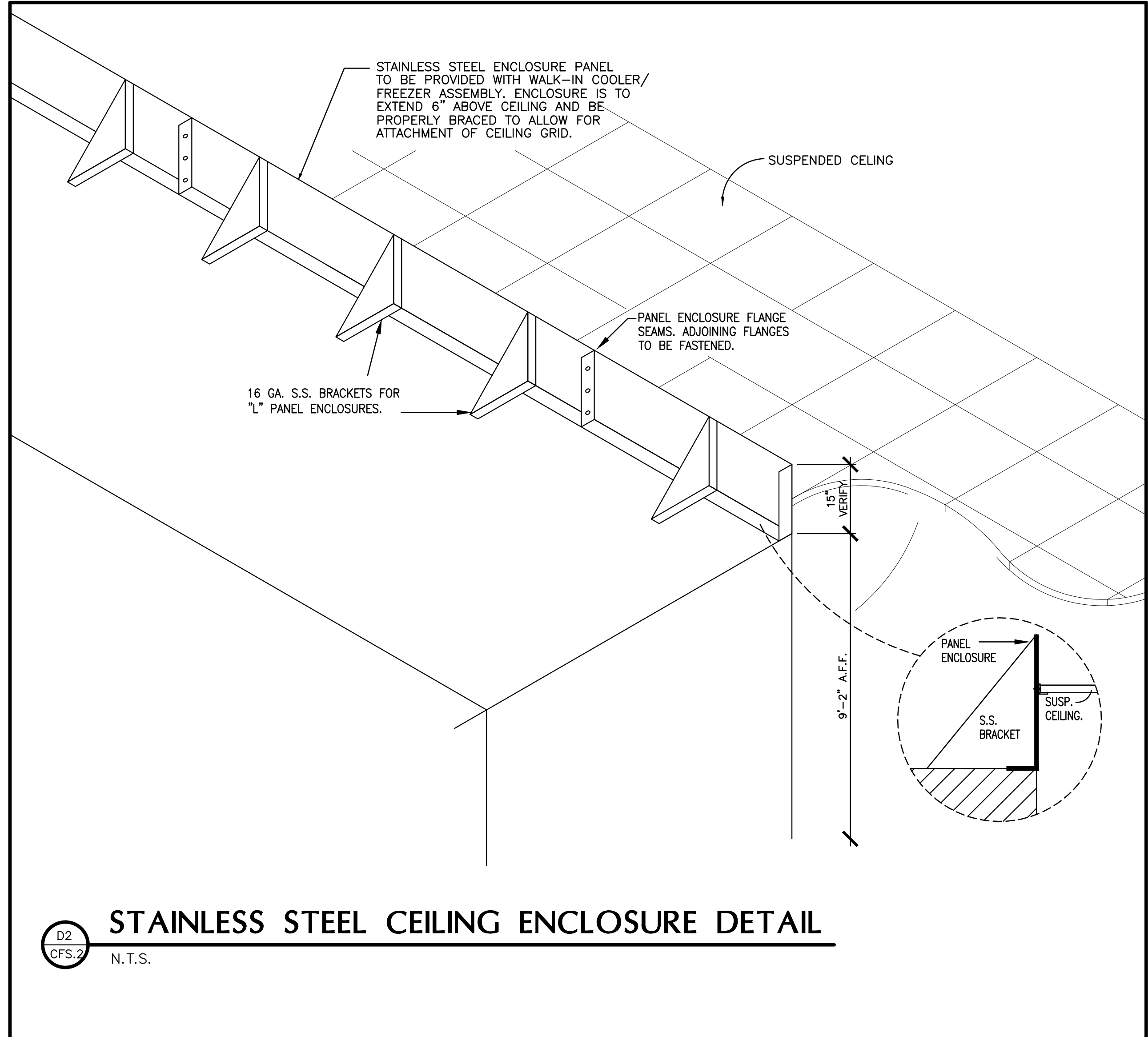


NOTE: IT IS THE INSTALLING CONTRACTOR'S RESPONSIBILITY TO FOLLOW ALL APPLICABLE CODES AND CURRENT REFRIGERATION REGULATIONS AND PRACTICES WHEN DETERMINING LINE SIZES, AND INSTALLING AND STARTING UP SET EQUIPMENT.

COMPRESSOR TYPE
S SEMI-HERMETIC
H HERMETIC
Z SCROLL

DEFROST TYPE
O.C. OFF CYCLE
ELEC. ELECTRIC

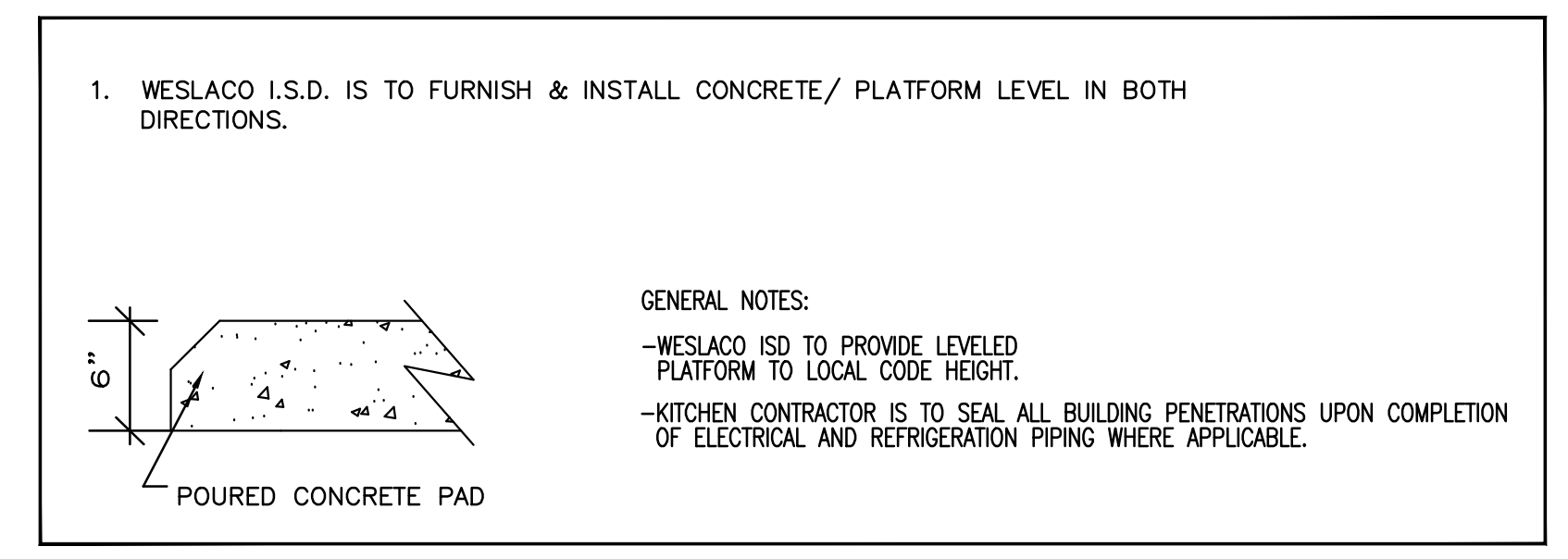
EVAPORATOR ACCESSORIES
F FACTORY EQUIPPED
L LOOSE (FIELD INSTALLATION)
D PROVIDED BY OTHERS



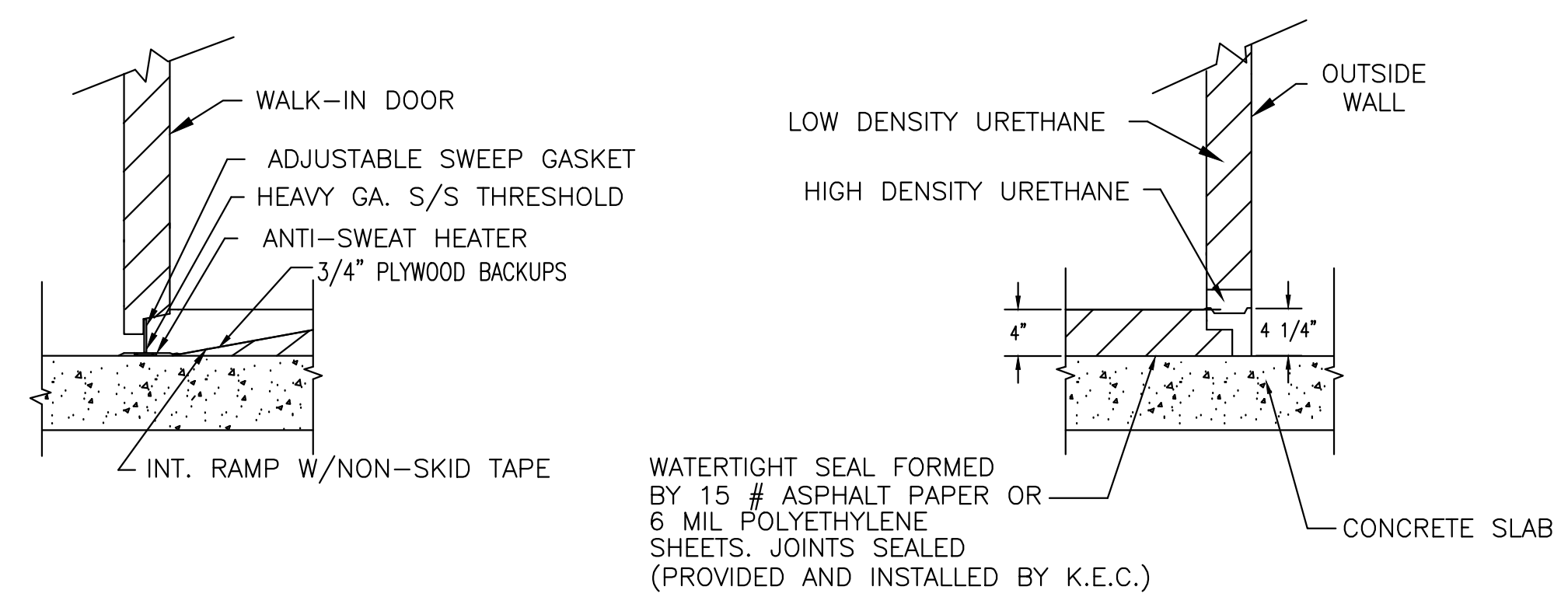
D2 STAINLESS STEEL CEILING ENCLOSURE DETAIL
N.T.S.

D1 WALK-IN FREEZER REFRIGERATION DETAIL
N.T.S. (ITEM K2)

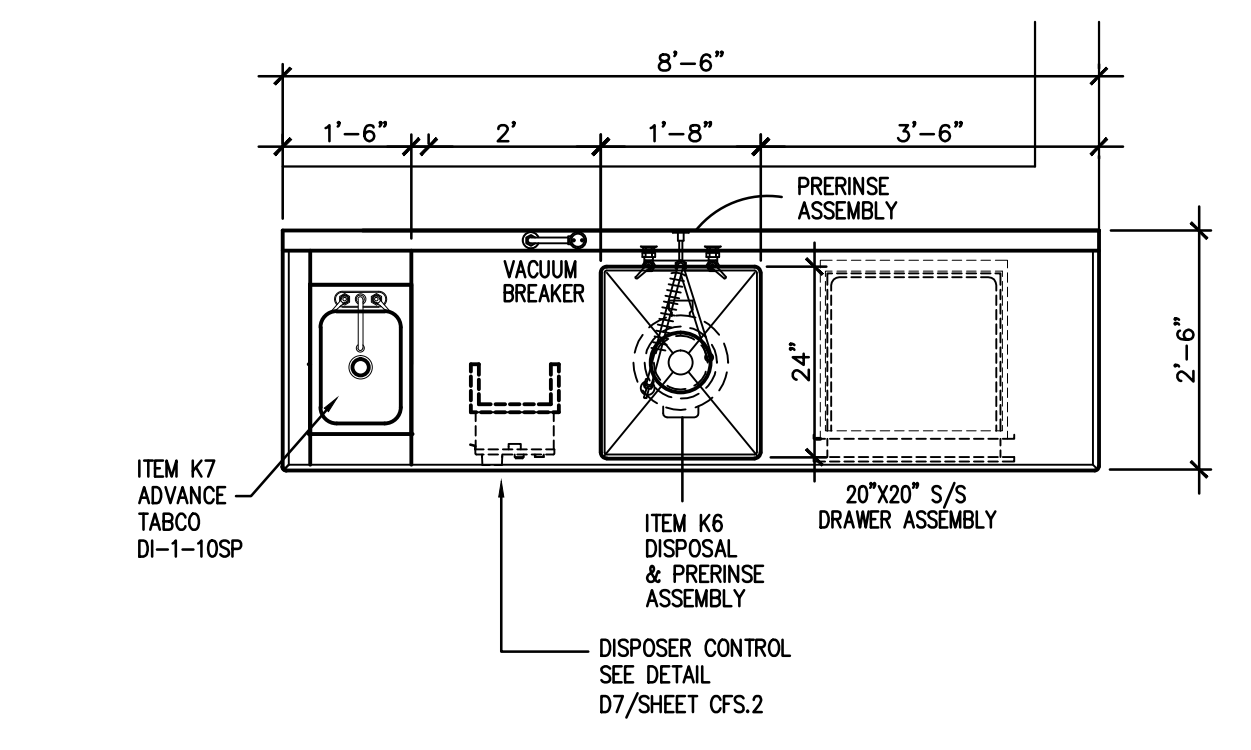
D1A WALK-IN COOLER REFRIGERATION DETAIL
N.T.S. (ITEM K2A)



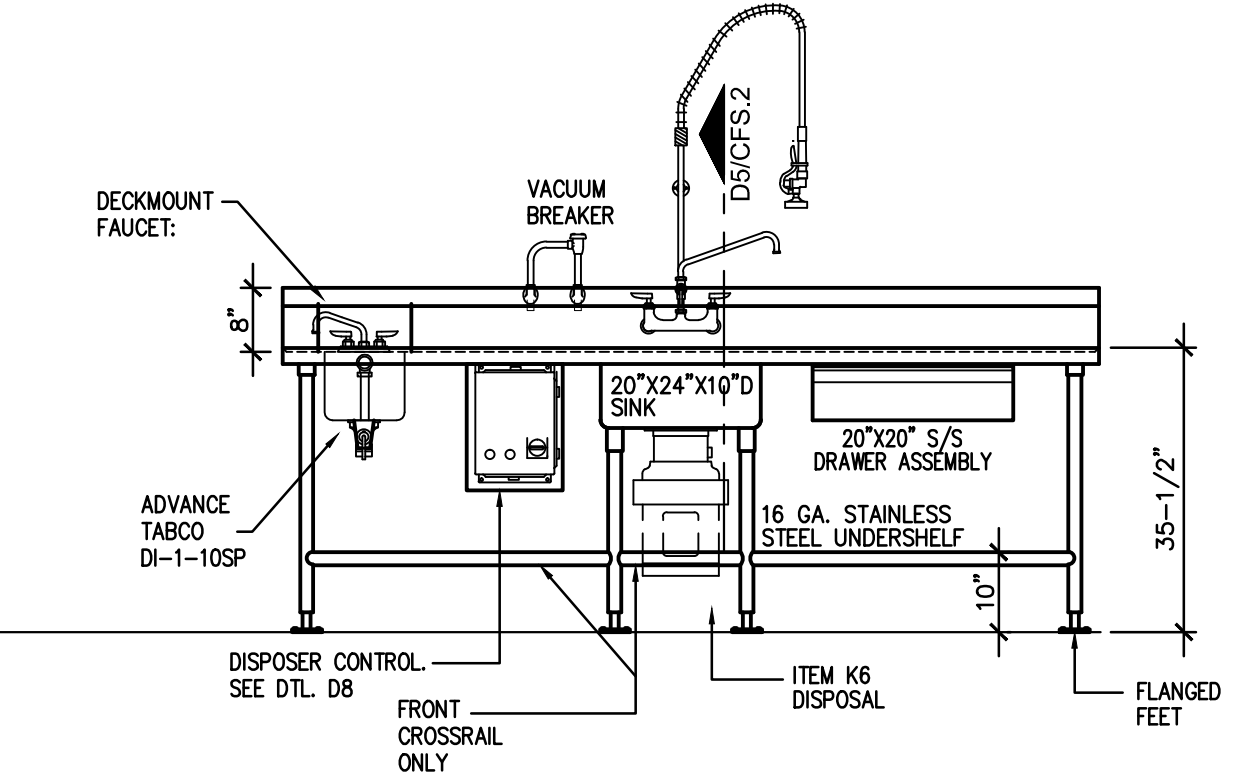
D4 DRYWELL DETAIL
SCALE: NONE



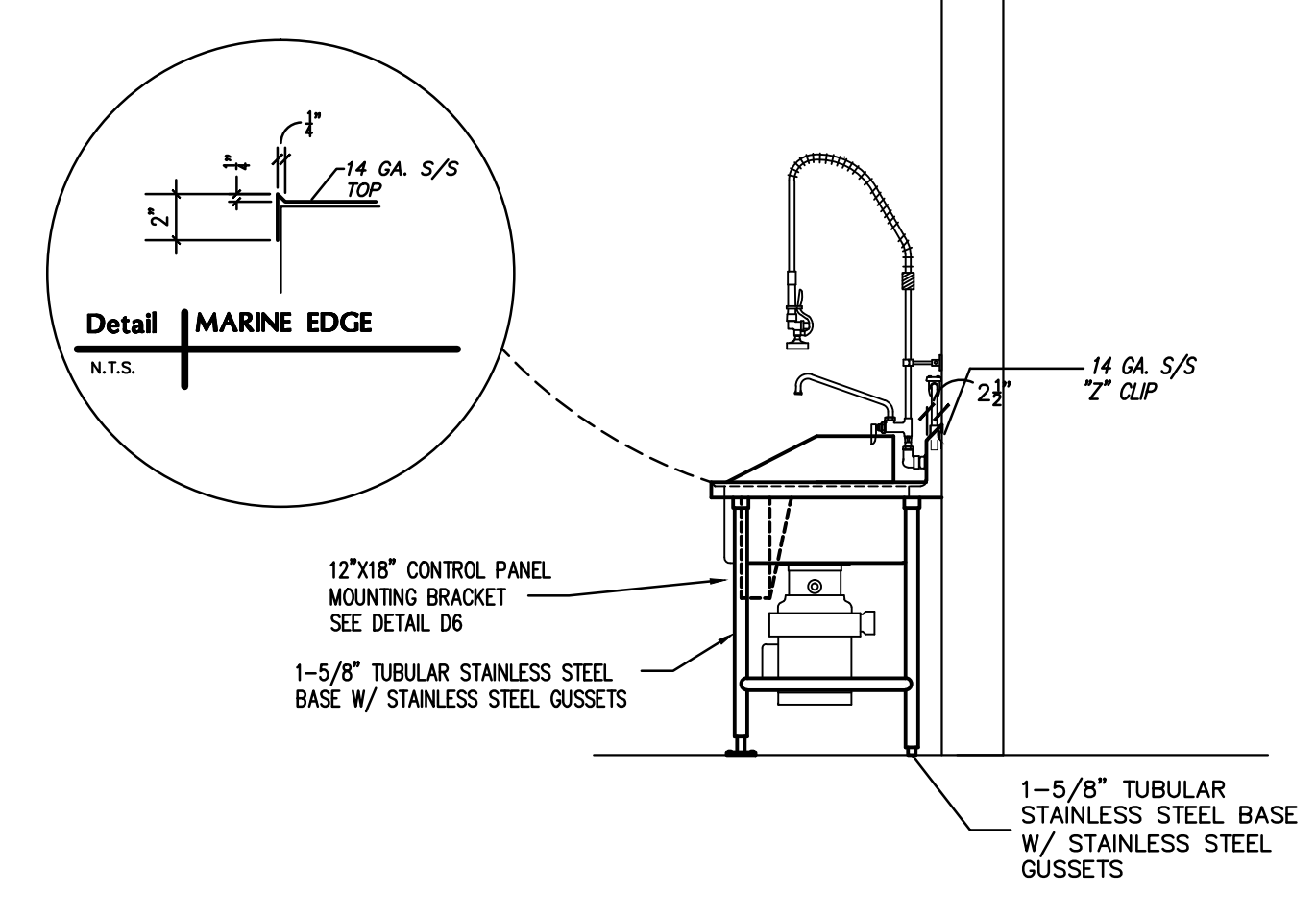
D3 WALK-IN FREEZER/COOLER FLOOR DETAILS
NOT TO SCALE



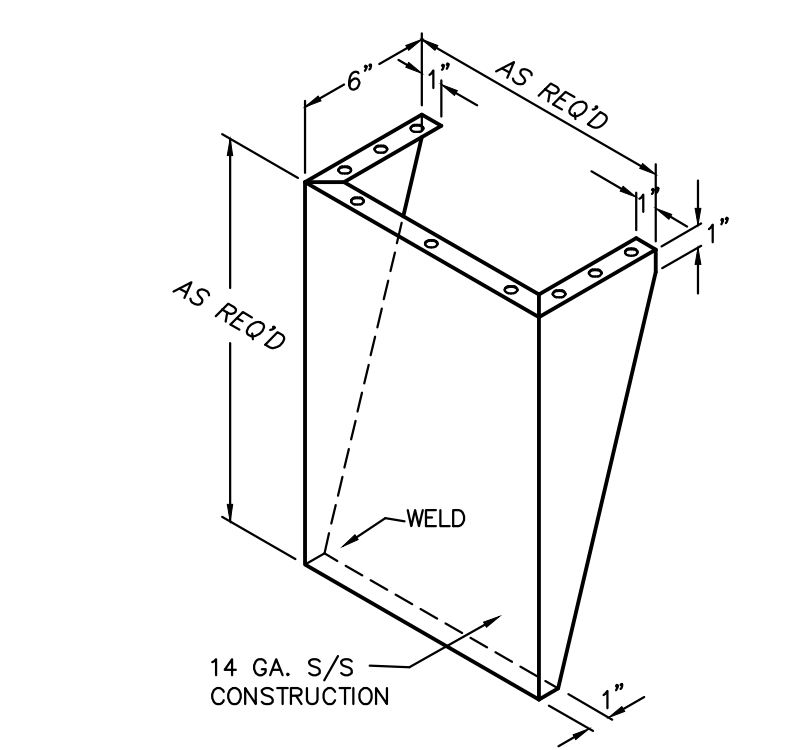
D5 PLAN VIEW: VEG PREP TABLE WITH HAND SINK
SCALE: 1/2"=1'-0" (ITEM K5)



D6 ELEVATIONS: VEG PREP TABLE WITH HAND SINK
SCALE: 1/2"=1'-0" (ITEM K5)



D7 SIDE VIEW: VEG PREP WORK TABLE WITH HAND SINK
SCALE: 1/2"=1'-0" (ITEM K7)



D8 Detail DISPOSER CONTROL MOUNTING BRACKET
N.T.S.

AMANDO CUELLAR

DRAWN BY: J.P. CHECKED BY: J.C.
SHEET TITLE
WALK-IN COOLER/FREEZER PLAN
REVISIONS

DATE DRAWN: 05-10-2017

CFS.2

Walk-In Cooler and Freezer Addition to
Amando Cuellar Elementary School
Weslaco Independent School District

Weslaco, Texas 78596