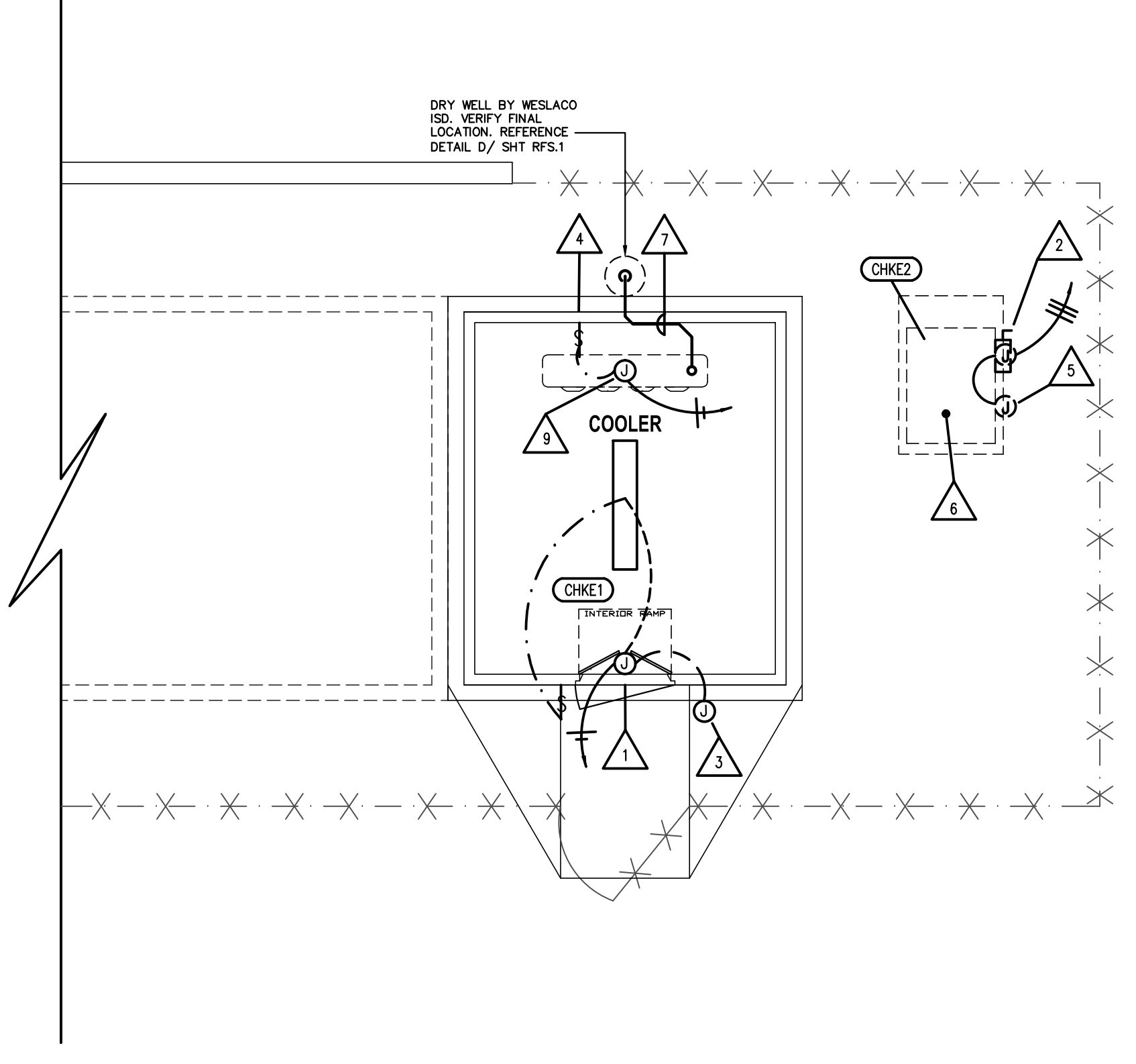


A WALK-IN COOLER FLOOR PLAN SCALE: 1/4"=1'-0"



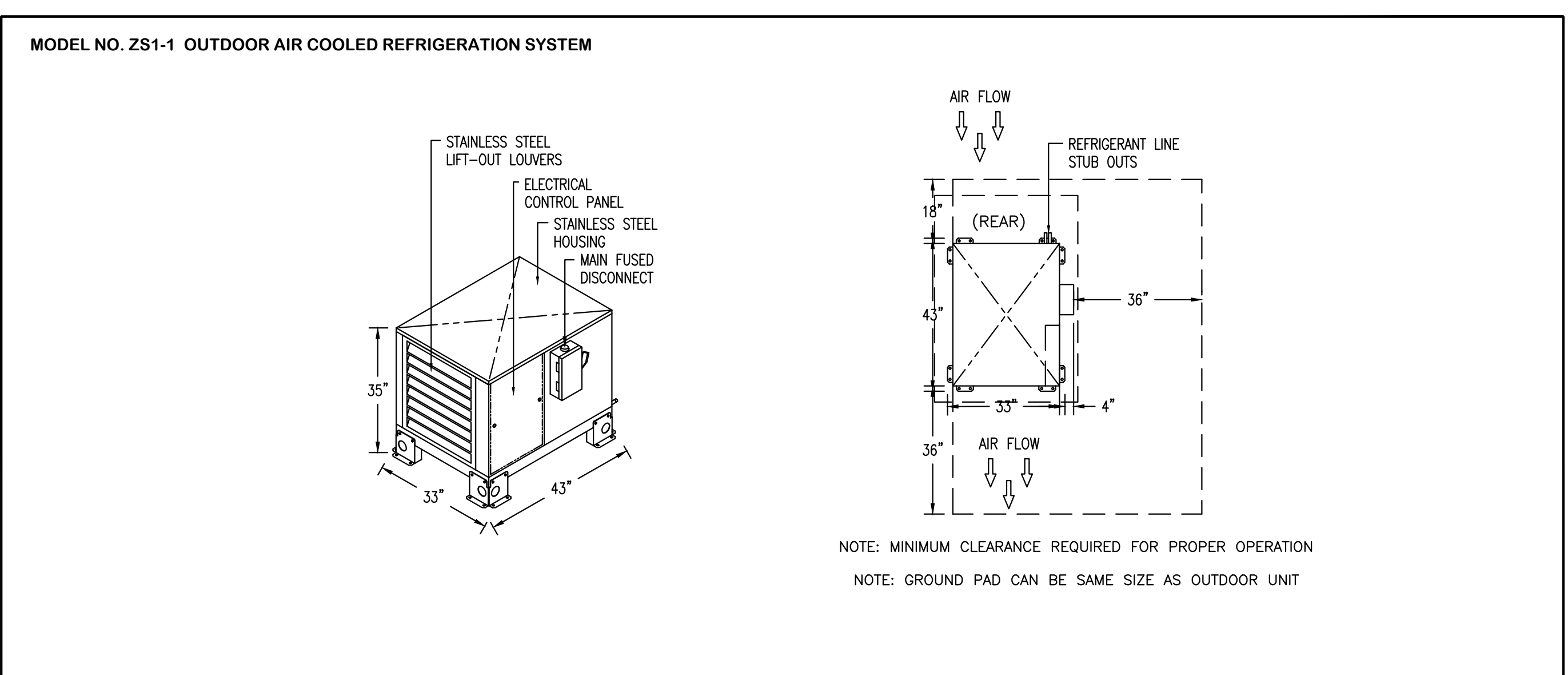
B WALK-IN COOLER ELECTRICAL AND PLUMBING ROUGH-IN SCALE: 1/4"=1'-0"

ELECTRICAL/PLUMBING ROUGH-IN NOTES

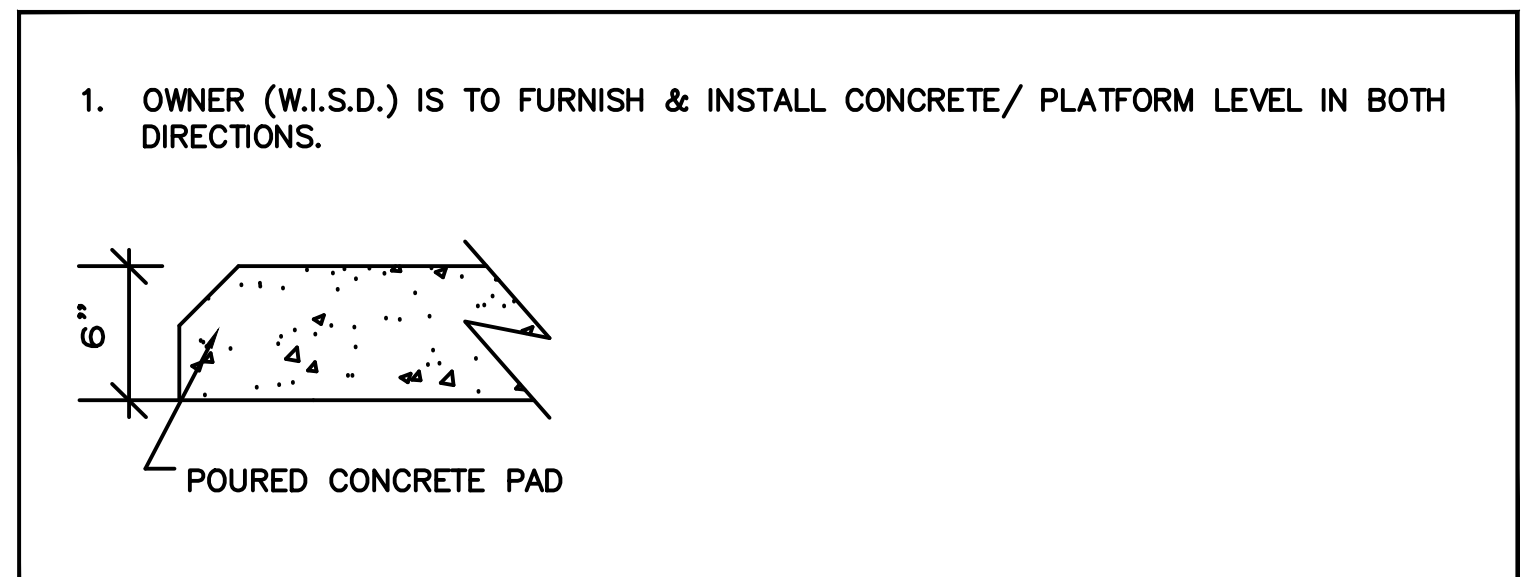
- 1. DOOR HEATERS, LIGHTS AND PRESSURE RELIEF PORTS PRE-WIRED TO JUNCTION BOX AT FRONT OF COLD STORAGE ASSEMBLY BY COOLER MANUFACTURER. FINAL CONNECTION BY ELECTRICIAN PROVIDED BY THE KITCHEN EQUIPMENT CONTRACTOR. SEE NOTE 3 BELOW.
2. MAIN FUSED ELECTRICAL DISCONNECT SWITCH IS TO BE PROVIDED AND PRE-MOUNTED ON THE UNIT BY THE REFRIGERATION SYSTEM MANUFACTURER. WESLACO ISD ELECTRICIAN IS TO PROVIDE AND INSTALL ANY ADDITIONAL ELECTRICAL DISCONNECT SWITCHES AND CIRCUITING FROM THE BUILDING POWER SUPPLY TO THE LOCATION OF THE NEW WALK-IN ASSEMBLY AS REQUIRED. FINAL ELECTRICAL CONNECTIONS TO THE REFRIGERATION SYSTEMS ARE TO BE PROVIDED BY A LICENSED ELECTRICIAN AS CONTRACTED BY THE KITCHEN EQUIPMENT CONTRACTOR.
3. WESLACO I.S.D. ELECTRICIAN IS TO PROVIDE CIRCUITING FOR 120V/60HZ/1PH/12 AMP DOOR HEATER AND LIGHTS FROM BUILDING POWER SUPPLY TO NEW WALK-IN LOCATION. CIRCUIT IS TO TERMINATE AT J-BOX LOCATED ON EXTERIOR OF WALK-IN. ALL FINAL CONNECTIONS ON INTERIOR OF WALK-IN ASSEMBLY AND REQUIRED PENETRATIONS ARE TO BE PROVIDED AND INSTALLED BY K.E.C.'S SUPPLIED ELECTRICIAN. ALL PENETRATIONS AND INTERIOR OF CONDUITS ARE TO BE PROPERLY SEALED.
4. K.E.C.'S LICENSED ELECTRICIAN IS TO PROVIDE AND INSTALL WEATHER PROOF SWITCH ON INTERIOR OF THE WALK-IN ASSEMBLY AND LOCATED BEHIND THE EVAPORATOR COIL FOR MEANS OF ELECTRICAL DISCONNECT TO THE EVAPORATOR.
5. CONTROL PANEL FOR REFRIGERATION RACK SYSTEM SUPPLIED BY KITCHEN EQUIPMENT CONTRACTOR. WESLACO I.S.D. IS TO PROVIDE 208V/60HZ/3PH 9.1 AMP TOTAL CONNECTED LOAD CIRCUIT FROM BUILDING POWER SUPPLY TO THE CONDENSING UNIT. WESLACO I.S.D. IS TO COORDINATE WITH KITCHEN EQUIPMENT CONTRACTOR FOR ALL REQUIREMENTS AND FINAL LOCATIONS. FINAL ELECTRICAL CONNECTION TO THE REFRIGERATION RACK IS TO BE PROVIDED BY THE WESLACO I.S.D.'S LICENSED ELECTRICIAN.
6. WESLACO ISD CONSTRUCTION DEPARTMENT TO VERIFY FINAL LOCATION AND INSTALL 6" HIGH RAISED CONCRETE PAD FOR REFRIGERATION RACK. VERIFY AND PROVIDE ALL CLEARANCES PER THE SUBMITTED MANUFACTURER'S REQUIREMENTS.
7. K.E.C.'S PLUMBING CONTRACTOR IS TO PROVIDE AND INSTALL 1" INSULATED COPPER CONDENSATE DRAIN LINE COMPLETE WITH P-TRAP FROM EVAPORATOR COIL TO THE DRY WELL ON THE EXTERIOR OF THE WALK-IN ASSEMBLY. ENTIRE CONDENSATE DRAIN LINE IS TO BE PROPERLY INSULATED WITH APPROVED ARMAFLEX INSULATION.
8. KITCHEN EQUIPMENT CONTRACTOR SHALL PROVIDE A LICENSED ELECTRICIAN FOR ALL FINAL ELECTRICAL CONNECTIONS ON INTERIOR OF WALK-IN ASSEMBLIES. ALL PANEL PENETRATION AND SEALING OF CONDUITS AND PENETRATIONS IS TO BE PROVIDED BY THE KITCHEN EQUIPMENT CONTRACTOR (K.E.C.). ALL CIRCUITING RUNS FROM THE BUILDING TO THE WALK-IN ASSEMBLY LOCATION ARE TO BE PROVIDED AND INSTALLED BY LICENSED TRADES AS SUPPLIED BY THE WESLACO INDEPENDENT SCHOOL DISTRICT (OWNER).
9. WESLACO I.S.D. IS TO PROVIDE AND INSTALL A DEDICATED CIRCUIT FROM THE BUILDING POWER SUPPLY TO THE LOCATION OF THE 120V/60HZ/1PH 1.8 AMP COOLER EVAPORATOR COIL. CIRCUIT IS NOT INCLUDED IN CONTROL PANEL LISTED IN NOTE 5. PANEL PENETRATION IN THE WALK-IN ASSEMBLY AND FINAL ELECTRICAL CONNECTION TO THE EVAPORATOR COIL ARE TO BE PROVIDED BY THE K.E.C.'S LICENSED ELECTRICIAN.
10. KITCHEN EQUIPMENT CONTRACTOR SHALL PROVIDE A LICENSED ELECTRICIAN FOR ALL FINAL ELECTRICAL AND CONTROL WIRING CONNECTIONS TO THE REFRIGERATION RACK CONDENSING UNIT FROM THE CIRCUIT PROVIDED BY WESLACO I.S.D. THAT IS TO BE LOCATED WITHIN 12" FROM THE REFRIGERATION RACK LOCATION.

KITCHEN EQUIPMENT LISTING table with columns for ITEM, QUANTITY, DESCRIPTION, EQUIPMENT SPECIFICATIONS, ELECTRICAL DATA, REMARKS, and PLUMBING/GAS/STEAM CONNECTIONS.

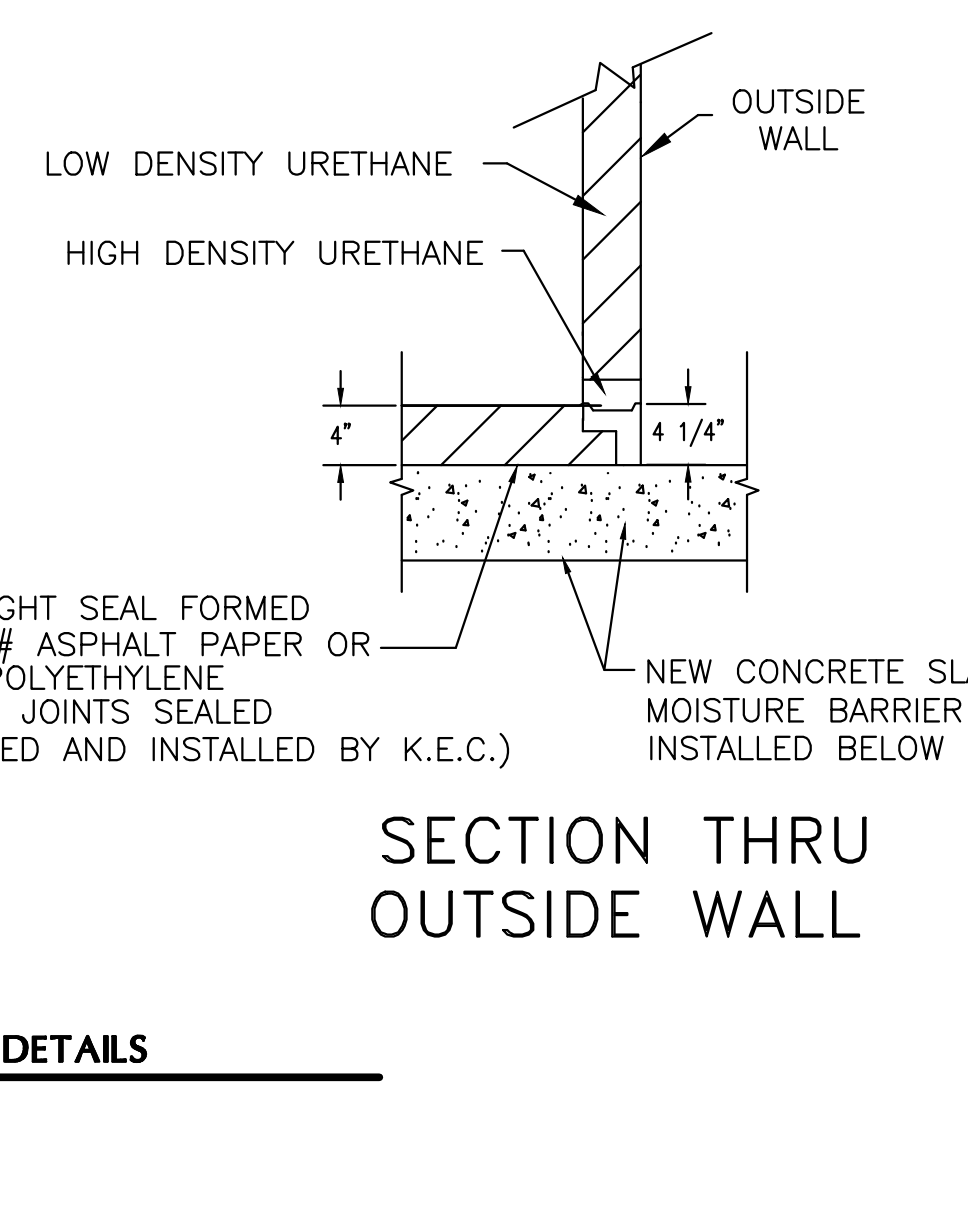
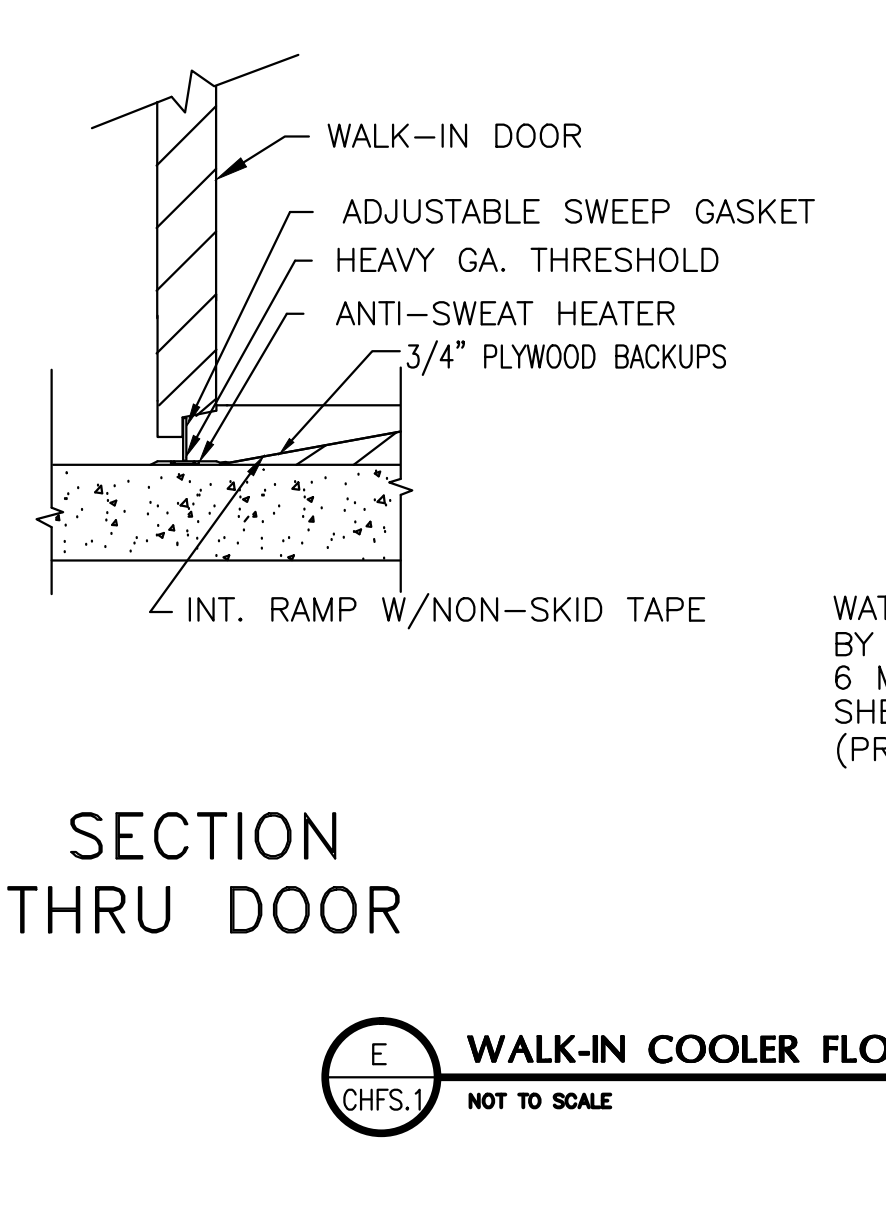
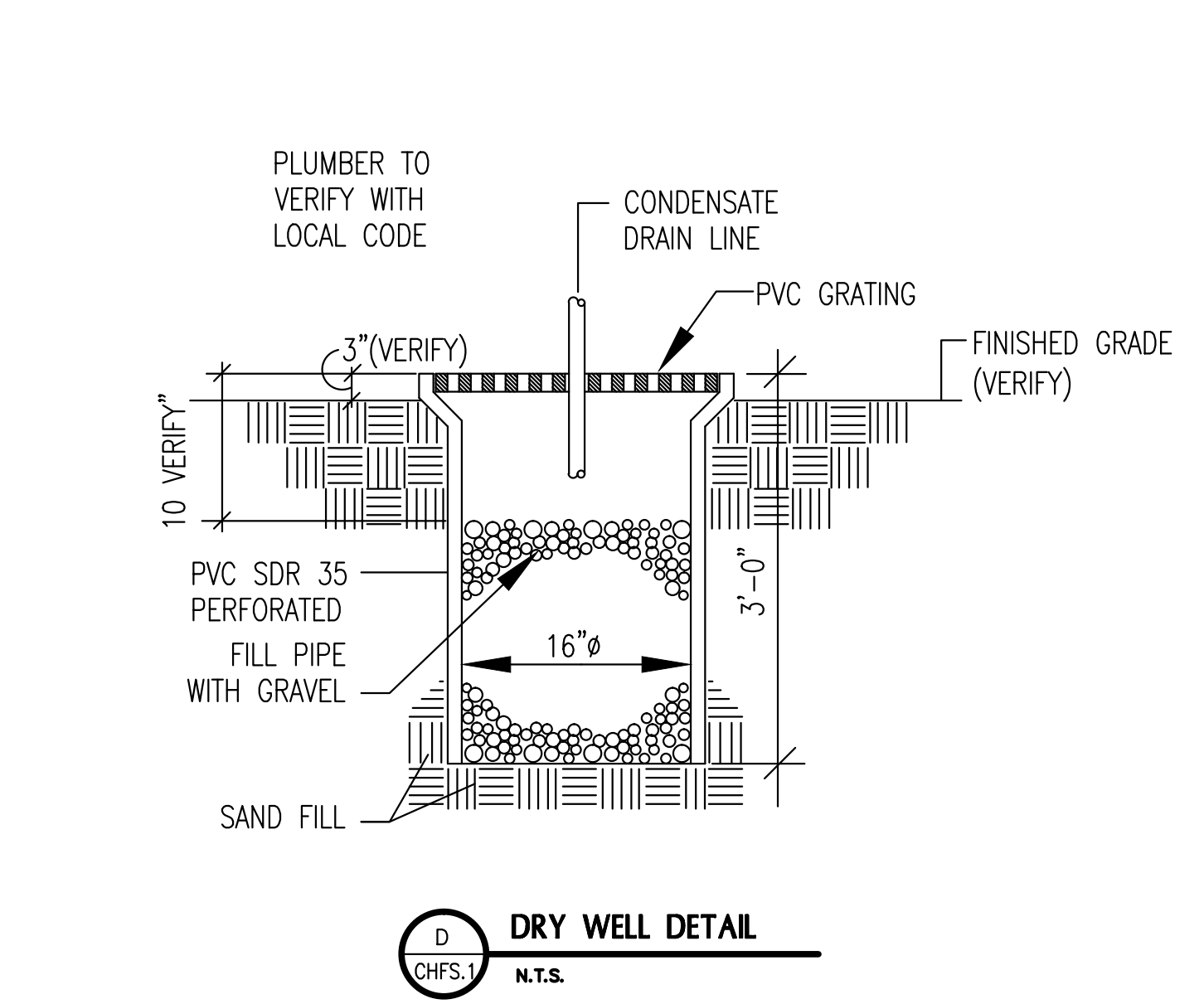
NOTE: BTC DENOTES BRANCH INDIRECT DRAIN LINE TO NEAREST CONNECTION. (DRY WELL, FLOOR SINK, FLOOR DRAIN ETC.)



NOTE: WESLACO I.S.D. IS TO PROVIDE AND INSTALL ALL REQUIRED ELECTRICAL CIRCUITING TO THE LOCATION OF THE NEW WALK-IN ASSEMBLY AND WITHIN A MAXIMUM OF 6 FEET FROM THE TERMINATION POINTS AND/OR FINAL CONNECTIONS ON THE EQUIPMENT. THE DRY WELL REQUIRED FOR CONDENSATE DRAINAGE IS TO BE PROVIDED AND INSTALLED BY THE WESLACO I.S.D. ALL FINAL PLUMBING AND ELECTRICAL CONNECTIONS TO THE EQUIPMENT ARE TO BE PROVIDED BY A LICENSED ELECTRICIAN AND PLUMBER AS CONTRACTED BY THE KITCHEN EQUIPMENT CONTRACTOR (K.E.C.).



ENGINEERING SUMMARY table containing technical specifications for fixtures, compressors, evaporator coils, and accessories.



E WALK-IN COOLER FLOOR DETAILS NOT TO SCALE

D DRY WELL DETAIL N.T.S.

C WALK-IN COOLER REFRIGERATION DETAIL (ITEM CHK2) N.T.S.

Walk-In Cooler Addition to Clecker-Head Elementary School Weslaco Independent School District 1601 W. Sugarcane Weslaco, Texas 78596

DRAWN BY: J.P. CHECKED BY: J.C. SHEET TITLE: WALK-IN COOLER PLAN REVISIONS:

DATE DRAWN: 05-10-2017 CHFS.1

CLECKER-HEAD